

CS2 Container Separator



CS2 Container Separator

The CS2 (Container Separator) is designed to space round and non-round containers before entering an inspection machine. The servo-driven CS2 can be used stand-alone or integrated with Flexinspect machines. The CS2 operates at speeds up to 350 containers per minute.

Features

- Left or right hand operation
- Tracks conveyor speed for precise container spacing on variable speed lines "encoder based"
- Mounts to the conveyor
- Compact footprint - fits within 350mm (13.7") of linear conveyor length

Ware Range

- Height: 40mm - 440mm (1.5" - 17.3")
- Body Diameter: 15mm - 160 mm (0.5" - 6.2")

Specifications

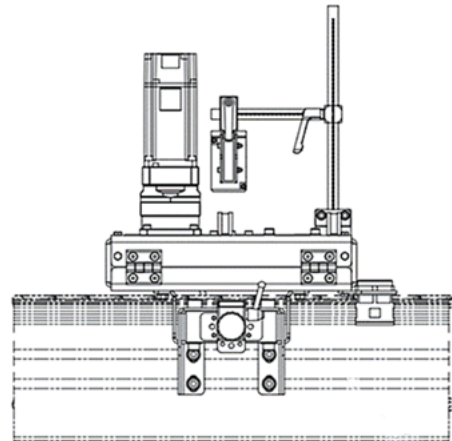
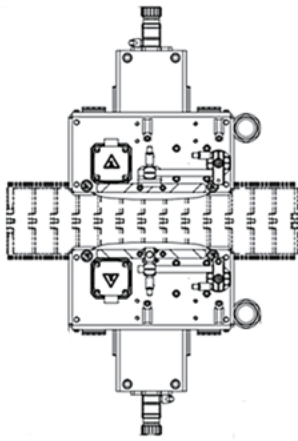
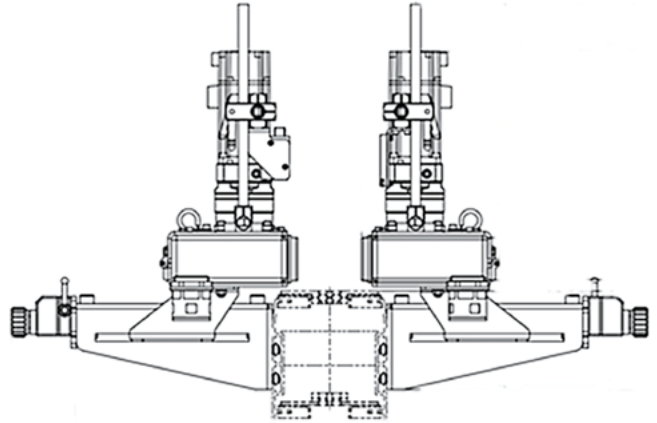
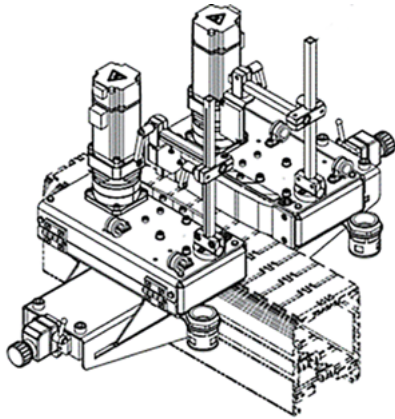
- Speed 1m/s max. (39.3"/s) maximum
- 350 containers per minute maximum
- Control box dimensions L 380mm (14.9") x W 261mm (10.2") x H 520mm (20.4")
- Separator dimensions L 334mm (13.1") x W 746mm (29.3")
- IP 50 protection

Power Requirements

- 230VAC single phase 50/60hz Standard - *optional voltages available on request*
- Amps 16

Environmental

- Temperature 5C - Max. 50 °C (41 - 122°F)
- Relative humidity Max. 95% relative humidity



Conveyor shown for reference only

www.bucheremhartglass.com

Bucher Emhart Glass
Hinterbergstrasse 22
CH-6312 Steinhausen

Telephone: +41 41 749 42 00
Fax: +41 41 749 42 71
webmaster@bucheremhartglass.com
www.bucheremhartglass.com